



P/N: 40PT1041AX DATA SHEET

Feature



- Compliant with IEEE 802.3 E and ANSI X3.263 standards including 350uH OCL with 8mA Bias.
- Symmetrical TX and RX channels for Auto MDI/MDIX capability.
- Operating temperature range : 0 to +70 .
- Storage temperature range: -25 to +105 .

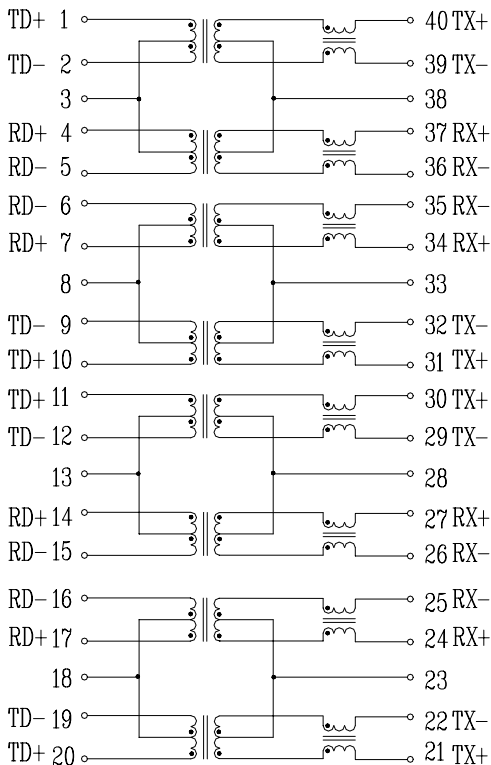
Electrical Specifications @ 25°C

| Part Number | Turns Ratio (±5%) | | OCL(uH Min) @100KHz/0.1V 8mA DC Bias | L.L (uH Max) | C _{WW} (pF Max) | Rise Time (nS Typ) | HI-POT (Vrms) |
|-------------|-------------------|---------|--|-----------------|-----------------------------|-----------------------|------------------|
| | TX | RX | | | | | |
| 40PT1041AX | 1CT:1CT | 1CT:1CT | 350 | 0.4 | 56 | 3.0 | 1500 |

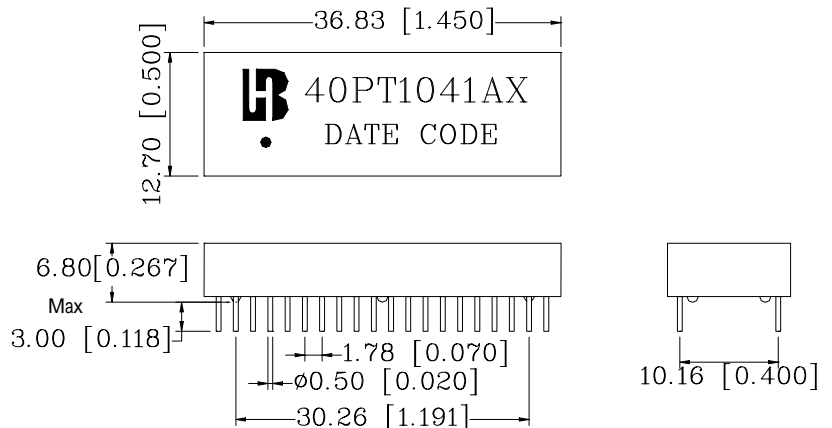
Continue

| Part Number | Insertion Loss (dB Max) 0.3-100MHz | Return Loss (dB Min) | | | Cross talk (dB Min) 0.3-100MHz | DCMR (dB Min) 0.3-100MHz |
|-------------|--|-------------------------|----------|----------|--------------------------------------|--------------------------------|
| | | 0.3-30MHz | 30-60MHz | 60-80MHz | | |
| 40PT1041AX | -1.15 | -16 | -12 | -10 | -35 | -30 |

Schematic



Mechanical



Units: mm[Inches] Tolerance: xx.x0±0.25[0.010]
0.xx±0.05[0.002]